



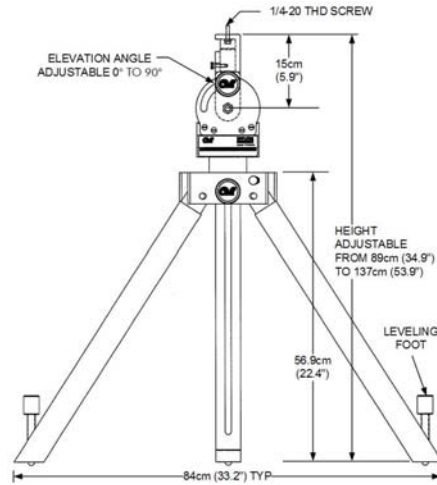
## TP1000B

- M1 through M5
- Tripod, Non-metallic

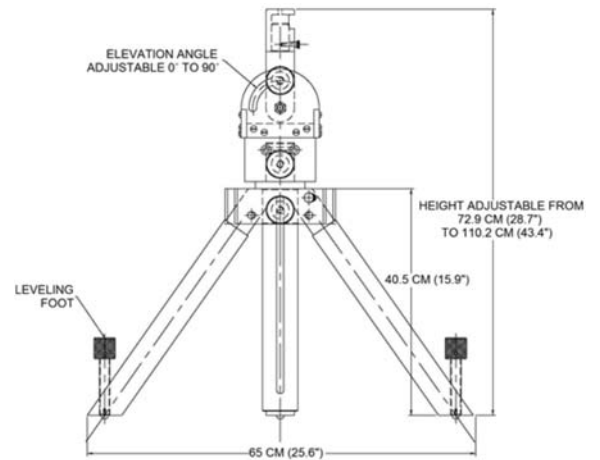
### Features

The Model TP1000B is a non-metallic tripod, constructed of rugged PVC, ABS and nylon, offering low reflections for EMC testing. The Model TP1000B is recommended for use with most AR antennas having mounting provisions. A 1/4-20 standard interface is used to attach the antenna to the tripod. The height adjustment is from approximately 89 cm to 137 cm (34.9 in to 53.9 in). An additional mast is provided with the tripod that extends the maximum height up to 2.03 meters (80.0 in). Adjustable legs are provided for leveling. The antenna can be rotated 360°

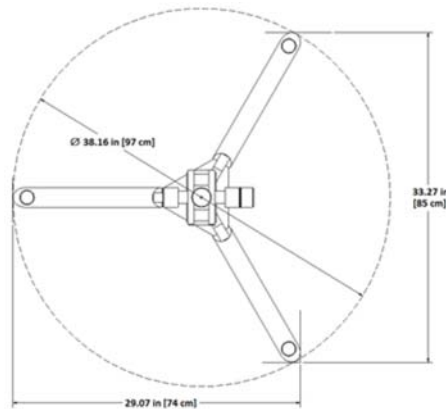
and tilted slightly (continuous adjustment) provided the tripod is level and the center of the load is within the foot print area. The accessory tray, on models so equipped, provides a convenient place to store supplies during testing sessions, or can be used to hold ballast for increased stability if needed. The export classification for this equipment is EAR99. These commodities, technology or software are controlled for export in accordance with the U.S. Export Administration Regulations. Diversion contrary to U.S. law is prohibited.



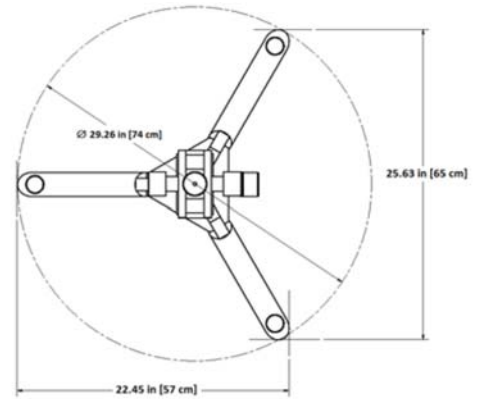
TP1000B



TP1000BM4



TP1000B Footprint



TP1000BM4 Footprint

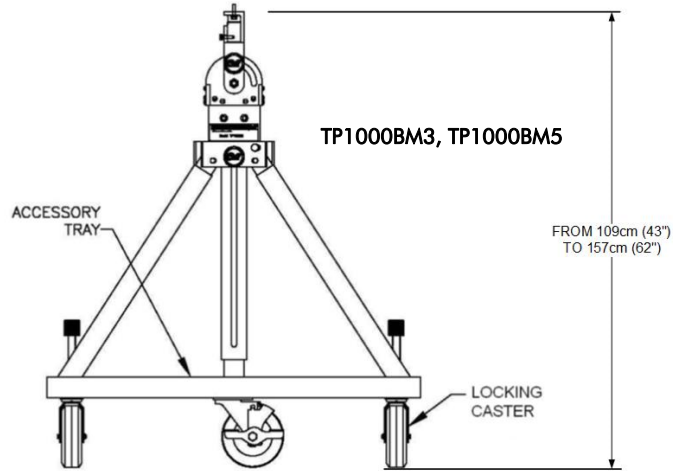
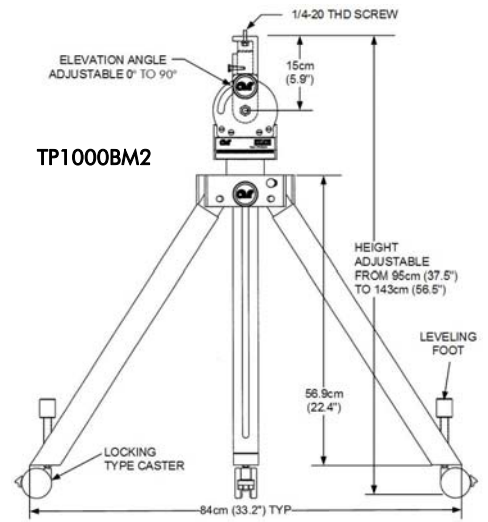
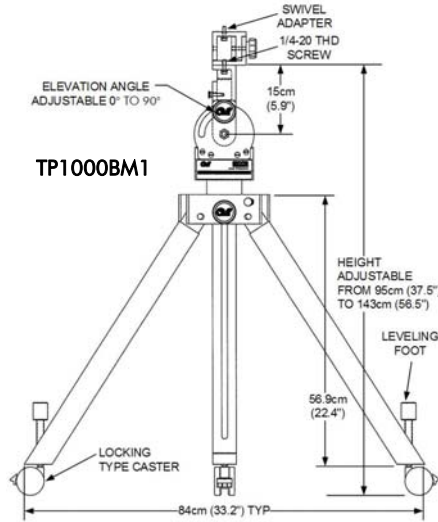
AR RF/Microwave  
Instrumentation  
160 School House Rd  
Souderton, PA 18964  
215-723-8181

For an applications engineer call: 800.933.8181

www.arworld.us

# TP1000B

- M1 through M5
- Tripod, Non-metallic



### Antenna Compatibility Tables for TP1000B

Interface Directly
ATL150M1G
ATL80M1G
ATR80M6G
ATR26M6G-1*
ATR200M6G
ATT700M8G
ATT700M12G
ATE10K30MA
ATE10K100M
ATH400M1G
ATH800M5GA
ATH800M6G
ATH4G8
ATH2G10
ATH200M2G
ATH1G18A
ATH2G4
ATH4G6
ATH6G8
ATH6G18

Requires listed TM to Interface	TM's sold Separately
ATH7G18	TM1000
ATH18G27	TM1001
ATH18G27-1	TM1001
ATH26G40	TM1002
ATH26G40-1	TM1002
ATH18G40	TM1003
ATH2G8A	TM1004
ATH2G8A-1	TM1004
ATH33G50	TM2005
ATH2G18	TM3000

\*Use with TP1000BM3 or TP1000BM5 with accessory tray and ballast.

# TP1000B

- M1 through M5
- Tripod, Non-metallic

## Specifications

**LOAD CAPACITY:** 27.2 kg (60 lbs)  
**MAXIMUM HEIGHT (approximate):** 137 cm (53.9 in)  
**MAXIMUM HEIGHT WITH LONGER MAST (approximate):** 203 cm (80 in)  
**MINIMUM HEIGHT (approximate):** 89 cm (34.9 in)  
**MAST TRAVEL:** (24" MAST) 48.3 cm (19 in)  
(51" MAST) 45.7 cm (18 in)  
(19" MAST, TP1000BM4) 37.3 cm (14.7 in)

**TILT ANGLE:** 0–90°  
**PAN ROTATION:** 360°  
**INSTRUMENT MOUNTING SCREW:** ¼–20  
**MATERIAL:** PVC, ABS, nylon  
**WEIGHT:** 9.7 kg (20.5 lbs)

## Model Configurations

Model Number	Description
TP1000B	No casters
TP1000BM1*	With locking casters and additional swivel adaptor head
TP1000BM2*	With locking casters
TP1000BM3**	With removable accessory tray and 6" pneumatic casters.
TP1000BM4	No casters, reduced height, single mast
TP1000BM5**	With removable accessory tray and 6" non-pneumatic casters

\*M1 and M2 versions are 6.6 cm (2.6 in) higher due to added height of casters.

\*\*M3 and M5 are 20.6 cm (8.1 in) higher than standard model due to accessory tray and 6" casters.

### Available Accessory:

10006774 Additional TP1000B to antenna adapter.