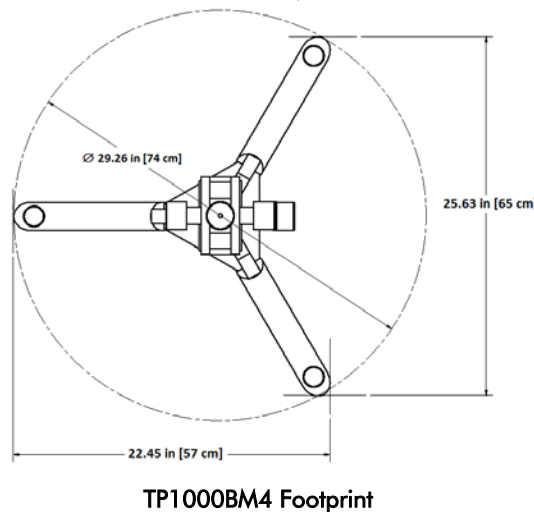
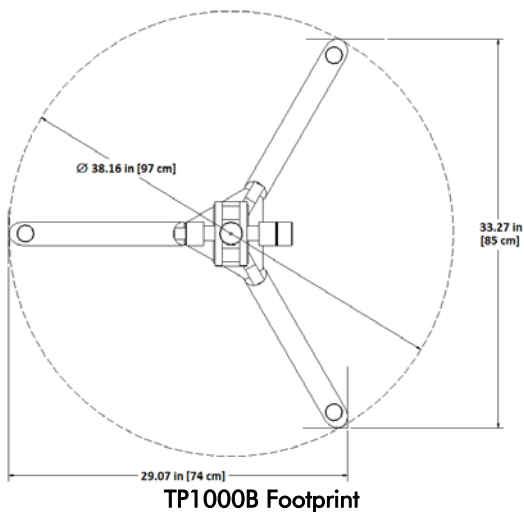
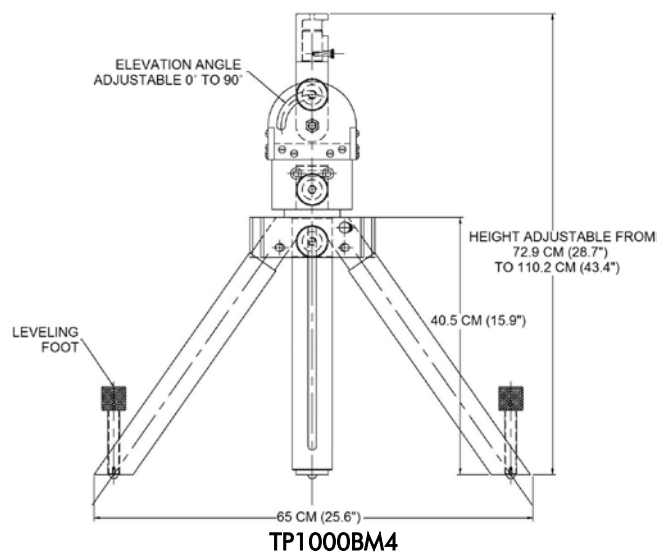
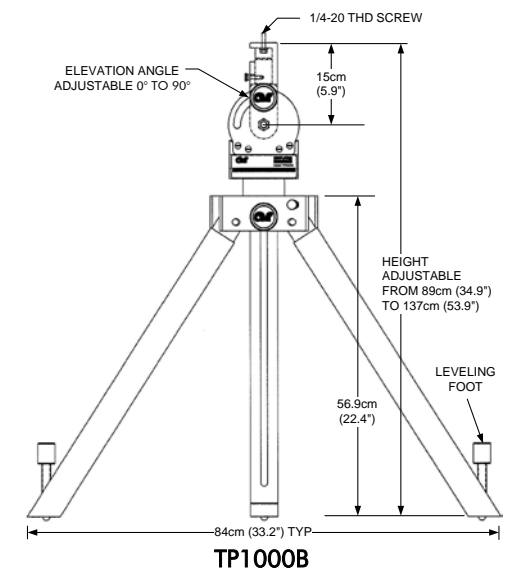


**Model TP1000B,
M1 through M5
Tripod, Non-Metallic**

The Model TP1000B is a non-metallic tripod, constructed of rugged PVC, ABS and nylon, offering low reflections for EMC testing. The Model TP1000B is recommended for use with most AR antennas having mounting provisions. A 1/4-20 standard interface is used to attach the antenna to the tripod. The height adjustment is from approximately 89 cm to 137 cm (34.9 in to 53.9 in). An additional mast is provided with the tripod that extends the maximum height up to 2.03 meters (80.0 in). Adjustable legs are provided for leveling. The antenna can be rotated 360° and tilted slightly (continuous adjustment) provided the tripod is level and the center of the load is within the foot print area. The accessory tray, on models so equipped, provides a convenient place to store supplies during testing sessions, or can be used to hold ballast for increased stability if needed. The export classification for this equipment is EAR99. These commodities, technology or software are controlled for export in accordance with the U.S. Export Administration Regulations. Diversion contrary to U.S. law is prohibited.



Model diagrams for additional models shown on page 3

SPECIFICATIONS, MODEL TP1000B

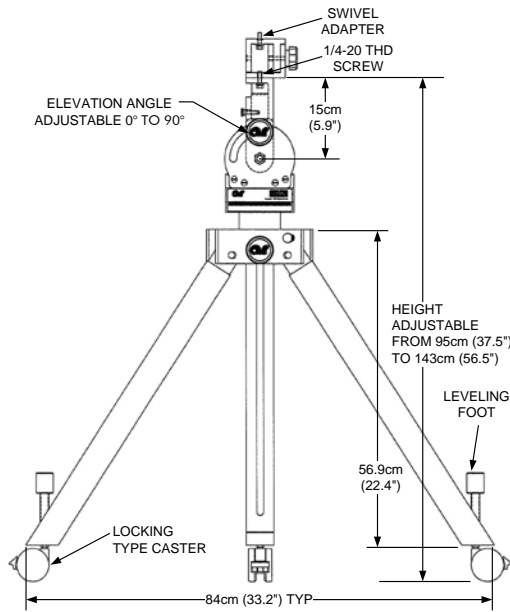
LOAD CAPACITY	27.2 kg (60 lbs)
MAXIMUM HEIGHT (approximate)	137 cm (53.9 in)
MAXIMUM HEIGHT WITH LONGER MAST (approximate)	203 cm (80 in)
MINIMUM HEIGHT (approximate).....	89 cm (34.9 in)
MAST TRAVEL (24" MAST)	48.3 cm (19 in)
(51" MAST)	45.7 cm (18 in)
(19" MAST, TP1000BM4)	37.3 cm (14.7 in)
TILT ANGLE	0–90°
PAN ROTATION.....	360°
INSTRUMENT MOUNTING SCREW.....	¼–20
MATERIAL	PVC, ABS, nylon
WEIGHT	9.7 kg (20.5 lbs)

MODEL CONFIGURATIONS

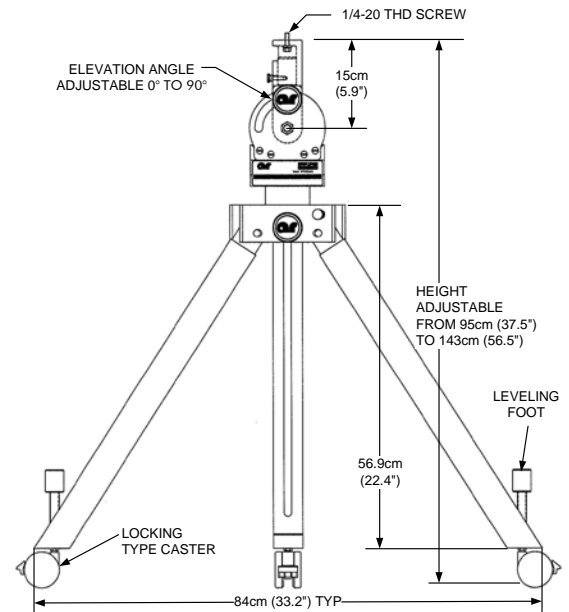
Model Number	Description
TP1000B	No casters
TP1000BM1*	With locking casters and additional swivel adaptor head
TP1000BM2*	With locking casters
TP1000BM3**	With removable accessory tray and 6" pneumatic casters.
TP1000BM4	No casters, reduced height, single mast
TP1000BM5**	With removable accessory tray and 6" non-pneumatic casters

*M1 and M2 versions are 6.6 cm (2.6 in) higher due to added height of casters.

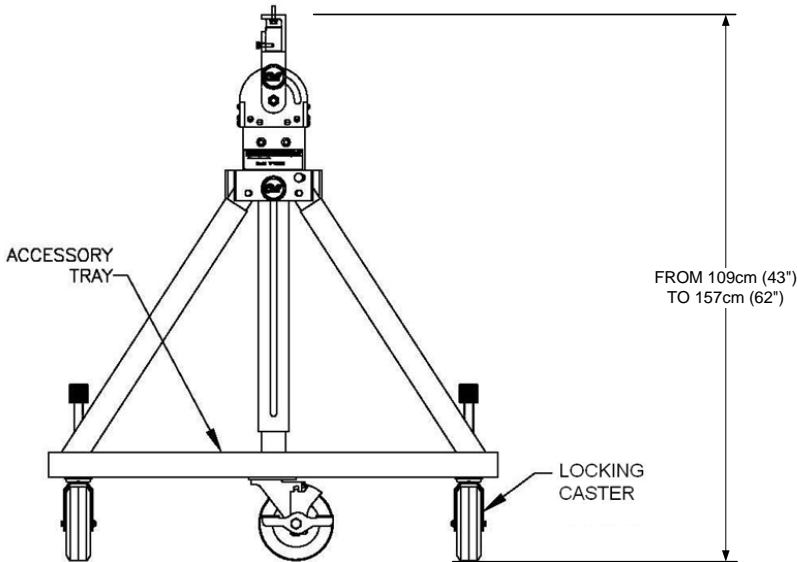
**M3 and M5 are 20.6 cm (8.1 in) higher than standard model due to accessory tray and 6" casters.



TP1000BM1



TP1000BM2



TP1000BM3, TP1000BM5

Antenna Compatibility Charts for TP1000B

Interface Directly
ATL150M1G
ATL80M1G
ATR80M6G
ATR26M6G-1*
ATS700M11G
ATE10K30M
ATE10K100M
ATH400M1G
ATH1G4
ATH800M5GA
ATH800M6G
ATH4G8
ATH2G10
ATH200M2G
ATH1G18
ATH2G4
ATH4G6
ATH6G8

Requires listed TM to Interface	TM's sold Separately
ATH7G18	TM1000
ATH18G27	TM1001
ATH18G27-1	TM1001
ATH26G40	TM1002
ATH26G40-1	TM1002
ATH18G40	TM1003
ATH2G8	TM1004
ATH2G18	TM3000

*Use with TP1000BM3 or TP1000BM5 with accessory tray and ballast.