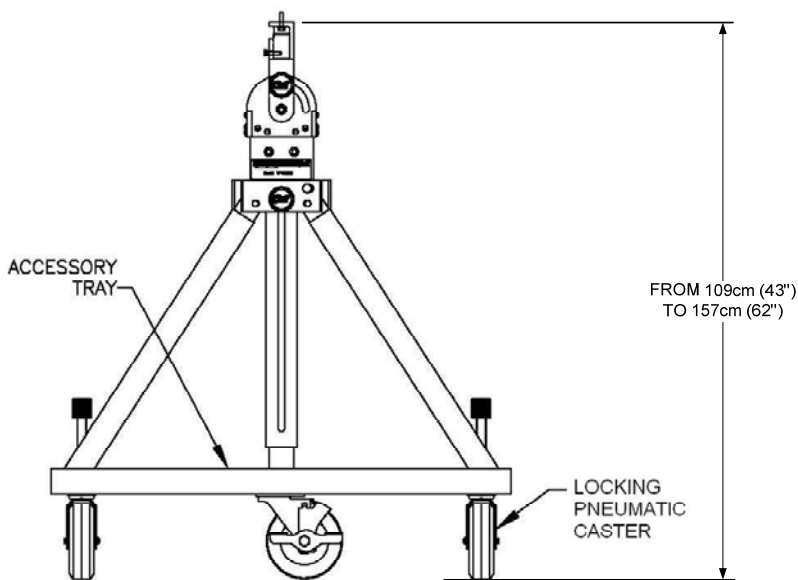


**Model TPK1000  
Accessory Tray, Non-Metallic Tripod**

The Model TPK1000 is a non-metallic tripod accessory tray kit, constructed of rugged PVC, ABS and nylon, offering low reflections for EMC testing. The Model TPK1000 will interface directly with AR Models TP1000A and TP1000B. The TPK1000 will add mobility, stability, and equipment storage or ballast area to both AR model tripods. The TPK1000 is equipped with 6" pneumatic, locking, swivel casters to allow it to roll over irregular surfaces and lock safely into place.

**SPECIFICATIONS, MODEL TP1000B**

LOAD CAPACITY .....	68.8 kg (150 lbs)
HEIGHT (approximate) .....	20.32 cm (8 in)
PAN ROTATION.....	360°
MATERIAL .....	PVC, ABS, nylon
WEIGHT .....	11.46 kg (25 lbs)



TPK1000 Accessory Tray and Casters shown with TP1000B Tripod (Not Included)